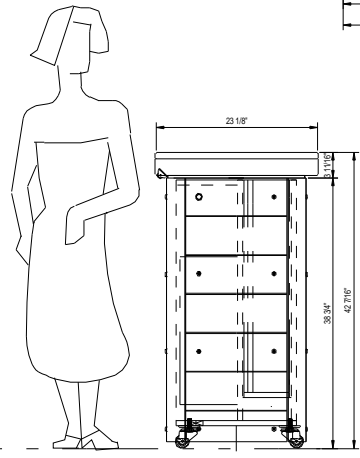
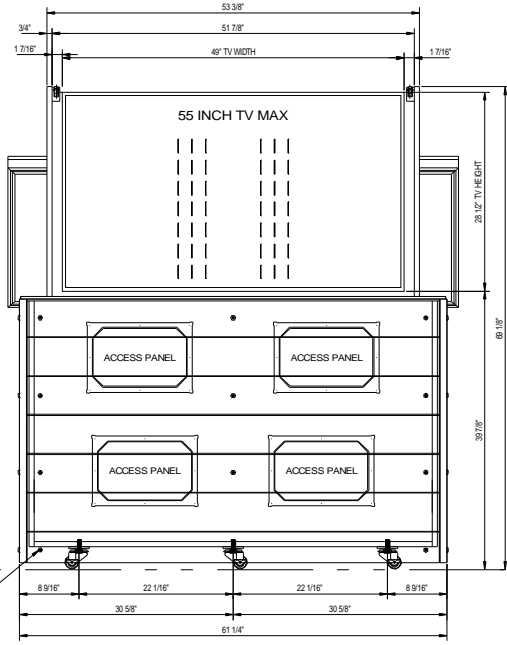
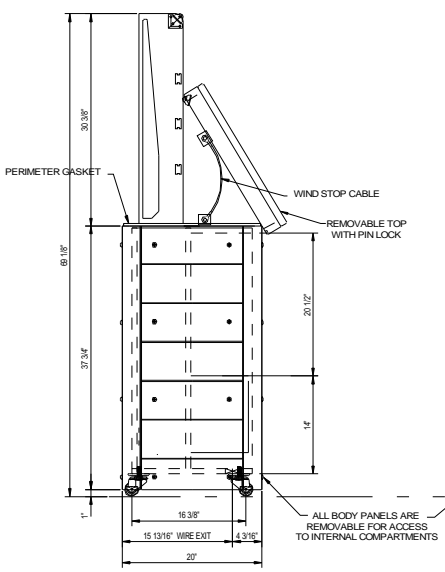
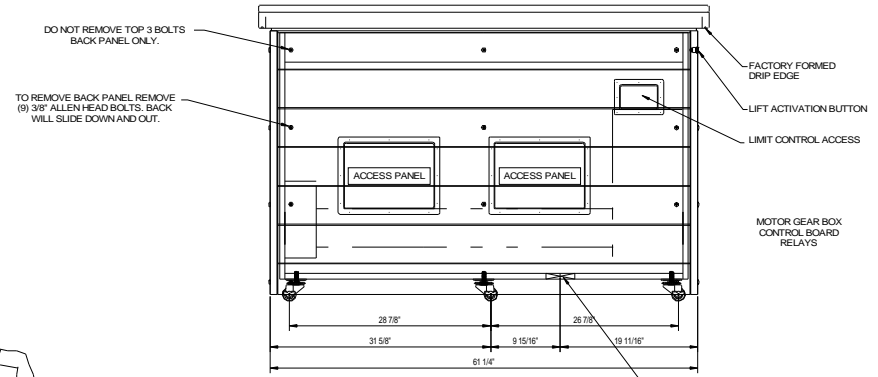
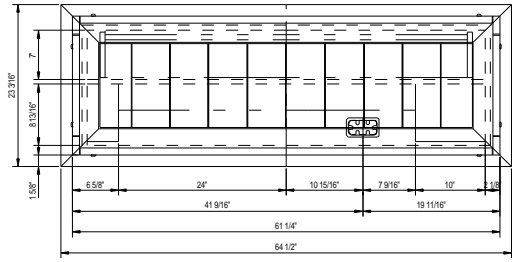


- Plug & Play System Ready For Installation -
- Quick and Quiet, Shipped Worldwide -
- Soft start and stop with a fast lift speed -

MADE IN THE USA:
 THIS AMERICAN TV LIFT MACHINE IS
 ENGINEERED, MANUFACTURED,
 CNC CUT AND HAND ASSEMBLED
 WITH PRIDE IN TULSA, OKLAHOMA



NOTE: SYSTEM MUST BE BOLTED TO FLOOR OR WALL TO HAVE THE EXTRA EXTIONS OPTION.

The Standard ATL Mechanism features a solidly built chassis unlike other TV Lift providers so no assembly required and critical components and necessary wiring are protected. Essentially you have a plug and play system ready for the backyard.

The material on this drawing is provided for general information only and should not be relied upon or used as the sole basis for making decisions. Any reliance on the material on this drawing is at your own risk. Having the physical product in your possession will always be a more accurate tool when making the necessary measurements.

The ATL-SM is a TV LIFT mechanism. Allowing a flat screen television to be concealed VERTICALLY within a CABINET and RAISED for viewing. American Innovation makes this the most powerful, QUIET, and Visually pleasing TV LIFT IN the industry.

CONCEALD DESIGN:
 An innovative smart system allows for a clean installation.

INSTALLATION READY:
 The ATL-SM SYSTEMS are delivered ready to install as a complete unit, no assembly required reducing the chance of mistakes during installation and simplify the project.

CONTROL OPTIONS:
 All AMERICAN TV LIFT MOTORIZED mechanisms are supplied with IR, Contact Closure, and wall switch options as standard

AVAILABLE VEIING SOLUTIONS:
 Motorized Arm with or without Storage Reveal
 Motorized Height Extension
 Articulating Arm
 SWIVEL WITH TOP EXTENSION

AVAILABLE SOUND SOLUTIONS:
 Second Stage Motorized Pop Up Sound Bar Lift
 3" - 5" Sound Bar Above or Below TV

AVAILABLE STORAGE SOLUTIONS:
 4"-10" Deep Concealment Storage
 12"-72" Storage Width Extension

- FEATURES NEAR SILENT MOTORIZED SMOOTH OPERATION
- PLACEMENT OPTIONS: INDOOR, OUTDOOR, MARINE
- FINISH OPTIONS : MOISTURE SHIELD
- MAX SCREEN SIZE: 55 INCH
- MECHANISM DIMENSIONS : 64.5" WIDE X 23" DEEP X 42.5" TALL
- SHIPPING DIMENSIONS : 73" WIDE X 31" DEEP X 50" TALL
- MECHANISM WEIGHT: 527 POUNDS - SHIPPING WEIGHT: 826 POUNDS

		American TV Lift 404 SOUTH 766 EAST AVE TULSA, OKLAHOMA 74106 USA Phone: 918-538-8282 www.americanTVLift.com
THIS DRAWING AND THE DESIGN SHOWN THEREIN IS THE PROPERTY OF AMERICAN TV LIFT. ANY DUPLICATION OR USE OF THIS PRINT FOR PURPOSES OTHER THAN THAT FOR WHICH IT WAS FURNISHED IS HEREBY PROHIBITED.		
ATL - TV LIFT 55 INCH OUTDOOR		OKLAHOMA
ATL 55 INCH TV LIFT MECHANISM INSIDE HOUSING SECTION VIEWS		
00001	00002	27 JUNE 15
00003	00004	02/23/15
00005	00006	1 1/2" = 1'-0"
ATL-SM55-SA1 PIR		